



AUTOMOBIL- UND MOTOREN-WERKE
BREMEN - GERMANY

Front Fender "Isabella"

Ers.
226

Bremen, Germany, November 1st, 1957

To our
Authorized Borgward Dealers and Workshops

Gentlemen:

The lateral badge "BORGWARD" on the front fenders of the type "Isabella" is placed from the rear to the front.

For rationalizing reasons the Spare Parts Works supply henceforth undrilled fenders only.

This concerns the fenders:

	Part Number
Isabella	055 510 26 00 / 055 510 27 00
TS up to serial no. 1 103 716	055 510 26 01 / 055 510 27 01
TS from serial no. 1 103 717	055 510 26 06 / 055 510 27 06

This step means for you too smaller stock-keeping as you only have to stock one type of fender.

We recommend to secure the position of the bores for the attachment of the BORGWARD badge by a special template which can be made by you according to Figure 1. The outer dimensions of the template enable a simple fitting on the fender. The lower edge of the template can thereby be placed on the bead of the fender whereas the lateral position must be adjusted according to Figure 2.

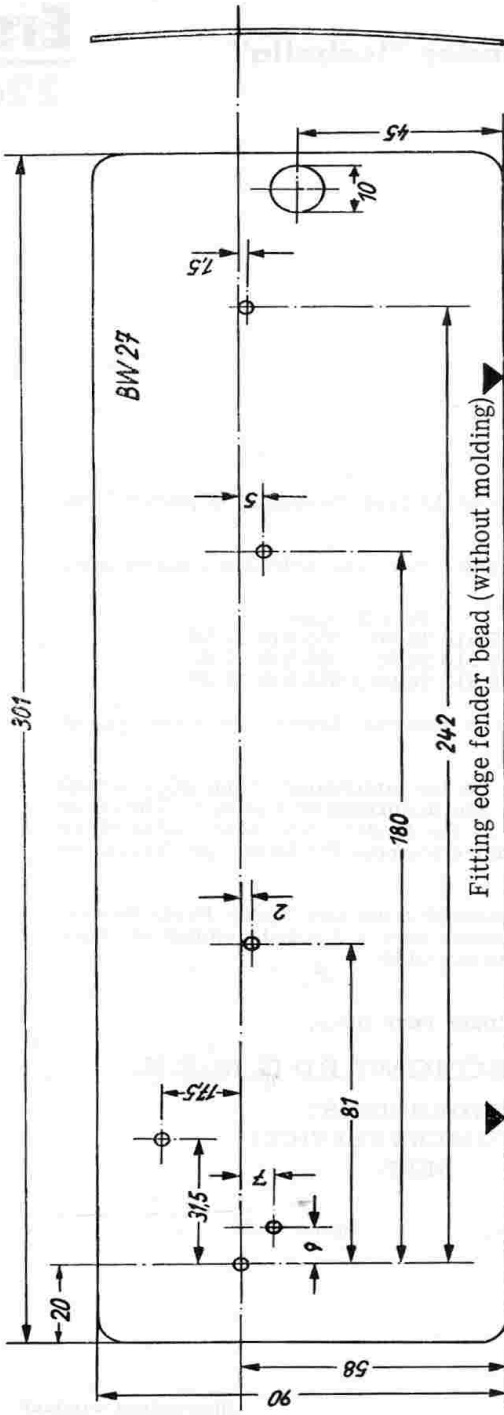
The templates for the BORGWARD badge can be ordered from our Spare Parts Works. Kindly let us know by return your requirement since only a limited number of these templates are made. Delivery will be made as soon as possible.

Yours very truly,

CARL F. W. BORGWARD G. M. B. H.
KUNDENDIENST
(CUSTOMERS SERVICE)
DEPT.

signed Grimberg

signed Wolff



All bores 3 mm ϕ

Fig. 1

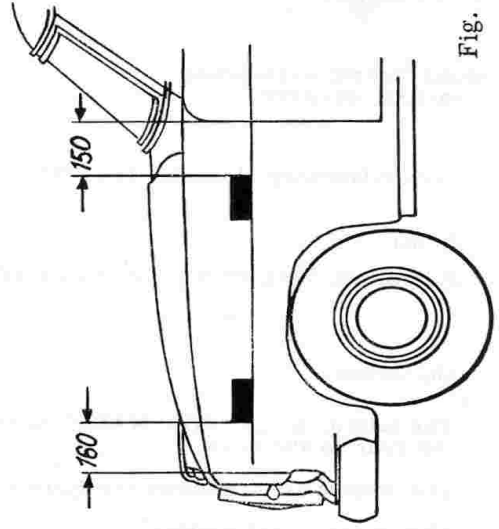


Fig. 2

Drilling template for BORGWARD badge

BW 27

All dimensions in mm.