



Subsequent Installation of Manual
Windscreen-Washer Equipment
in Isabella Saloon, TS and Combi

PKW 1
ABLAGÉ-GRUPPE
50-64
RUNDSCHREIBEN
7
N U M M E R

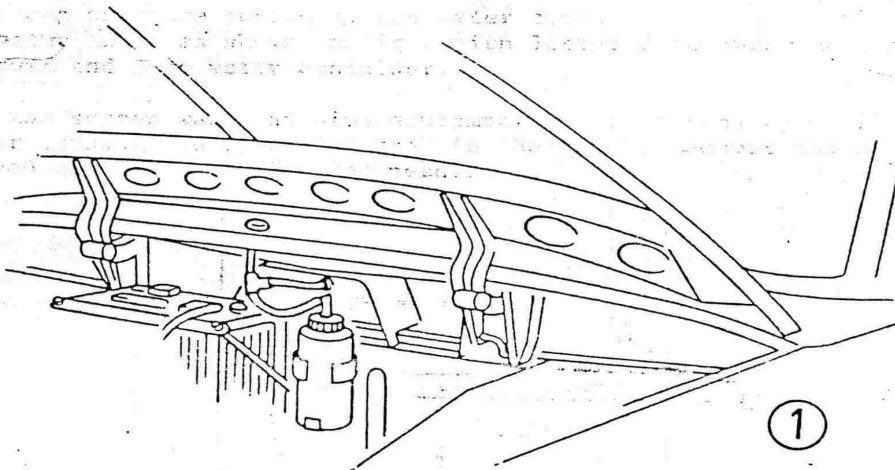
Bremen, den 26.1.1961

From Vehicles 1 500 232 (Saloon, TS)

1 325 775 (Combi)

Windscreen Washer equipment with manual pump, has been installed as standard.

The following steps should be carried out for a subsequent installation of such equipment in older cars.



Procedure

1. Remove keys from ignition switch (or remove negative cable from battery).
2. Take out wiper switch from dashboard.
3. Mark out the holes for fastening the spray nozzles on the upper windscreen apron according to the dimensions in sketch 2, centre punch them, drill a 5mm hole and enlarge with a file to 10mm. De-burr hole and paint the edges.
4. Mark the hole for the water hose to pass through the lower windscreen frame about 21mm (from the centre of the cable hole to the centre of the new drilling) below where the wiper motor cable comes through. Centre punch, drill with 5mm drill and enlarge to 9mm with a file. De-burr hole and paint edges.
5. Fix the bracket for the water container to the bulkhead with self-tapping screws as shown in Fig 3. Set the filled water container in the bracket.

6. Install the handpump wiper switch in the dashboard. Fit the cables to the wiper switch as follows:

Cable with identification colour.	Terminal	
Brown	31	
White	316	
Black/Lilac	54	
Black	54d	

Attach water tube, 450mm long to the suction nozzle and feed the tube through the bulkhead. Fit the handpump into the dashboard from behind so that the suction nozzle points upwards.

Secure the handpump/wiper switch with the nut.

Screw the knob onto the wiper switch.

Seal the hole through the lower windscreen frame with a rubber grommet.

7. Screw the nozzle to the windscreen apron, so that the spray jets point at the windscreen (with rubber ring, washer and nut).
8. Push water tube 100mm long onto the nozzle of the spray jet and the tube 80mm long onto the nozzle of the water container. Attach the valve to the water tubes as shown in Fig 1 with letter D to spray nozzle, P to the pump and B to water container.
9. Test the screen wash and wipe equipment for functions by pulling out and/or turning the operating knob to the right. Adjust the spray nozzles if need be, by means of a jet needle.

